

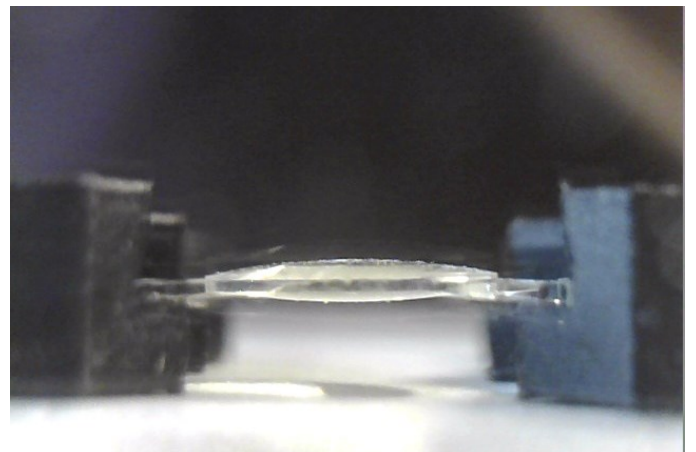
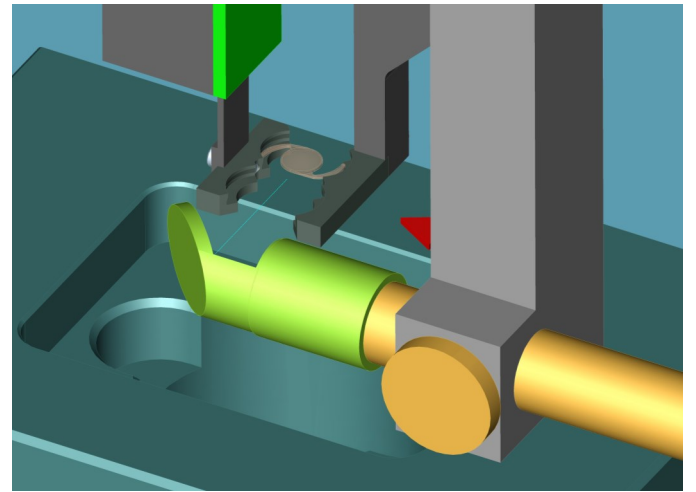
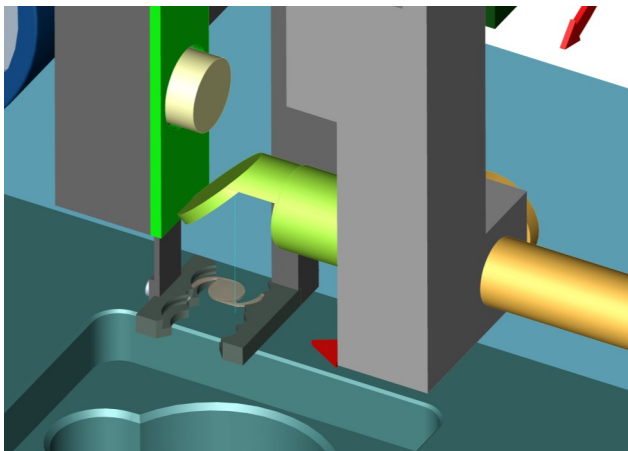
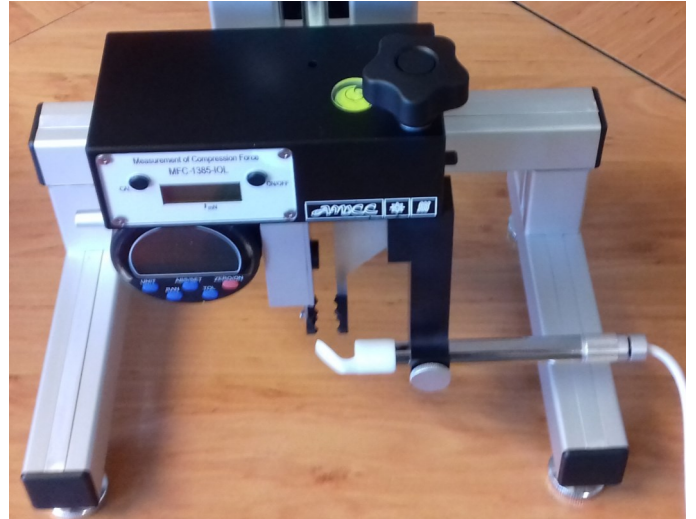
## Measurement of compression force : Option VISION

The **Vision** option allows to visualize the deformations of the implant during the test of measurement of compression force.

### Camera support for top vision



### Camera support for lateral vision



Acquiring of the camera images on PC.